

# VISION

DENTAL OPERATING LIGHT



## FEATURES



### A LONG HISTORY OF QUALITY AND VERSATILITY

The operating light VISION it's on the market since 20 years, with excellent results. Simple as functional, thanks to the coated reflector glass guarantees a light pattern without shadows and imperfections was well as a cold white light.

Available in three versions:

- Vision Switch : allows to choose the needed light intensity at 15000 or 25000 lux
- Vision with Potentiometer : the progressive regulation between 15000 and 25000 lux allows to select the light intensity more suitable for dentist needs
- Vision with Optical Sensor : in order to fulfil the sanitary regulations, this model allows to switch on-off the light just passing one hand

Switch



With potentiometer

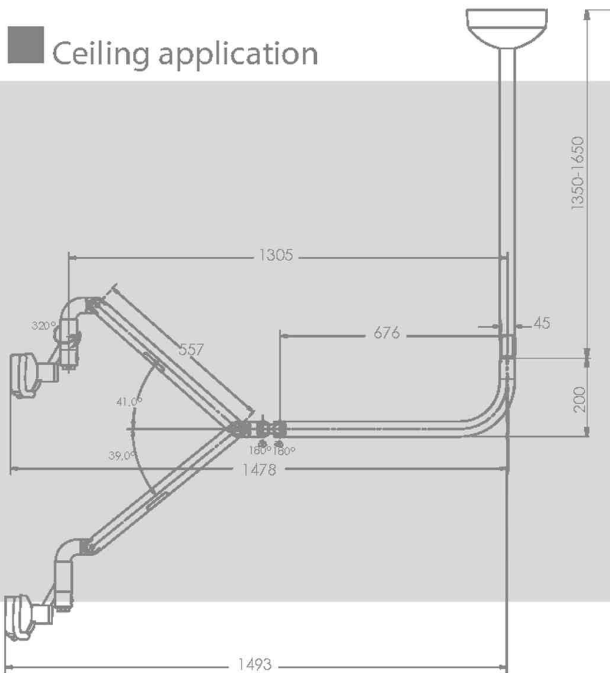


Sensomatic



TECHNIC

### Ceiling application



### TECHNICAL FEATURES



**Power supply:** 10.5/13 V switch and sensor  
17/24 V with potentiometer  
17 with sensor

**Light intensity:** 15.000-25.000 lux

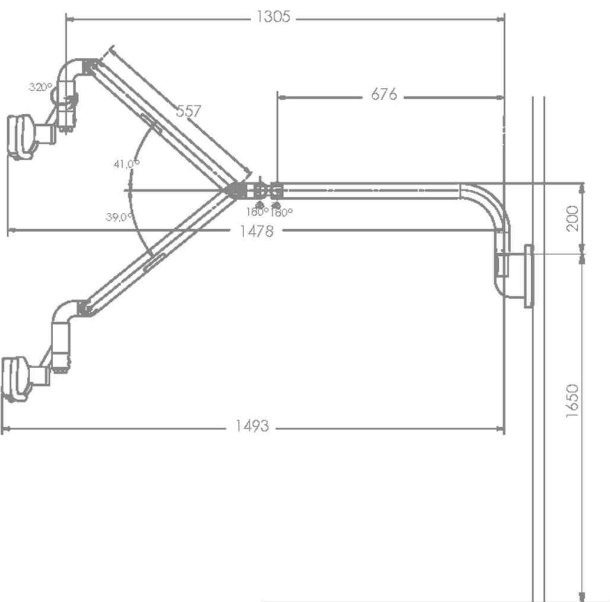
**Color temperature:** 4.500 K

**Bulb:** tungsten halogen type H-star 12V 50W Low pressure

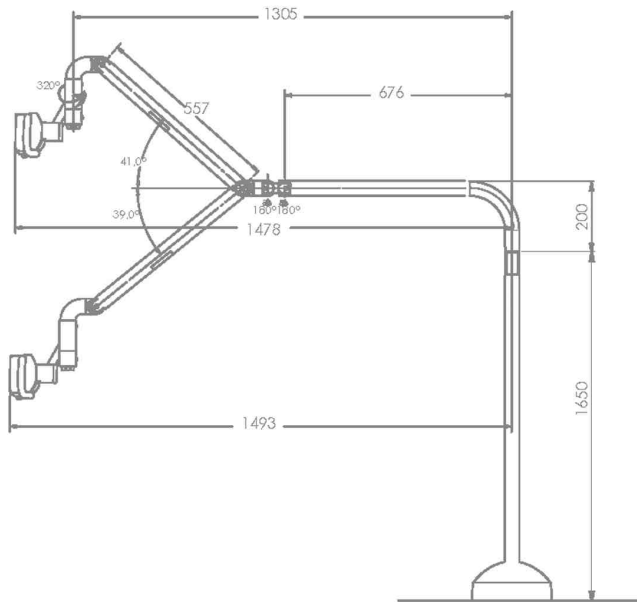
**Light pattern:** 100 x 200 mm

The light has been positively tested and has a IMQ certification.  
Technical features have a tolerance of +/- 10%

### Wall application



### Floor application



# VIS

**G.Comm S.r.l.**

Via Donizetti, 22

20872 Cornate d'Adda (MB) Italy

T +39 039 60 60 420

F +39 039 69 26 991

[info@gcomm-online.com](mailto:info@gcomm-online.com)

[www.gcomm-online.com](http://www.gcomm-online.com)